

# The HFG-45 is a Pocket Sized Hand Held Digital Force Gauge That Offers Measurement On The Go

*With its high accuracy, compact size, and cordless or corded operation the HFG-45 is one of the most versatile force gages an engineer can have.*

TEMECULA, CALIFORNIA, UNITED STATES, February 22, 2021 /EINPresswire.com/ -- The HFG-45 Series Digital [Force Gauge](#) is a pocket-sized, handheld, high quality, [force measurement](#) device. Overall, this force gauge is the most useful force measuring instrument your company can have, for either handheld applications via a strap, or hard-mounted via four threaded holes on the back. Choose engineering units of lb, oz, kg, N, or kN for loads up to 45 pounds with full-scale accuracy of .5% in either tension or compression. The HFG-45 can be used for continuous or peak capture measurements. Standard accessories include a test hook, extension rod, and compression plate shown below. Four replaceable AA batteries are supplied, and an optional AC power supply is available on our [load cell accessories](#) page.

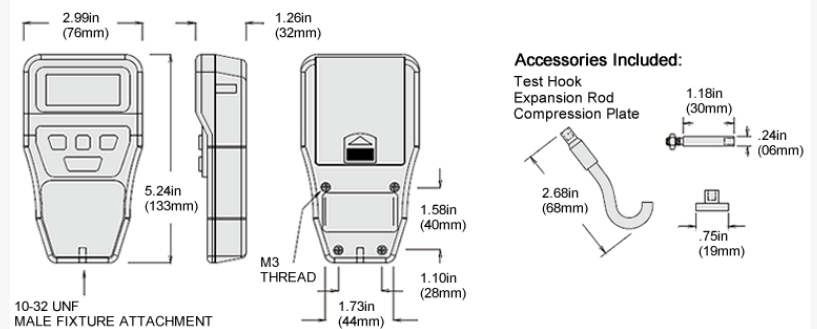
<https://www.transducertechniques.com>



CAL-TEDS Plug & Play Smart Sensors Icon



HFG-45 Hand Held Force Gauge



HFG-45 Hand Held Force Gauge Specifications

cells, torque sensors, special purpose transducers and related instrumentation. Transducer Techniques load cells are uniquely designed for weight and force measurement in such diversified applications as process control and factory automation. Other applications exist in numerous fields of science and industry for our load cells. All transducer sensing elements incorporate bonded foil strain gauges, wired in a full Wheatstone bridge configuration.

### Technology

Load cells are electro-mechanical transducers that translate force or weight into voltage. This change in voltage produces a signal in the read-out instrumentation, a repeatable deflection or indication that can be calibrated directly in terms of the load applied to the load cell.

### Construction

Construction of the load cell utilizes all the advantages of bonded foil strain gauges. Sealed within the load cell are sets of matched strain gauges bonded to a high strength element, machined to close tolerances. The strain gauges are electrically connected to form a balanced Wheatstone bridge and additional compensation resistors are added to the circuit for maintaining the accuracy of the bridge over a wide temperature range.

### Operation

The principle of operation depends upon the deflection of the strain gauge filament, creating a change in its resistance, thereby unbalancing the bridge circuit. As a result, for a given input voltage, the output voltage of the bridge varies proportionally with the load and the change can be read on appropriate instrumentation.

### Quality

When completed, each load cell is individually tested and calibrated. Each cell must meet or exceed rigid electrical and mechanical performance tests before it is released for service. Also, every cell is proof tested to its full rated capacity, and in most instances, to over its rated capacity.

### Attributes

An important asset of our load cells is their extremely small deflection. The maximum deflection of standard cells does not exceed .012" at full load. This plus the fact that these load cells contain no moving parts opens unlimited application fields. The inherent compactness of the load cells minimizes installation problems.

The frequency response characteristics of our load cells are exceptionally good. The relatively low mass, and the small deflection under load, result in a high-frequency response which emphasizes the use of the load cells in many services where other transducers cannot perform.

Only strain gauges of the highest quality are installed and configured by technicians who have undergone our extensive training program targeting craftsmanship and attention to detail. To the end-user, this means a quality product. All Load Cells / Force Sensors and Torque Sensors are

supplied with a Calibration Certificate traceable to NIST.

Customer Support

Transducer Techniques, LLC

+1 800-344-3965

[email us here](#)

Visit us on social media:

[Facebook](#)

[Twitter](#)

---

This press release can be viewed online at: <https://www.einpresswire.com/article/535651171>

EIN Presswire's priority is source transparency. We do not allow opaque clients, and our editors try to be careful about weeding out false and misleading content. As a user, if you see something we have missed, please do bring it to our attention. Your help is welcome. EIN Presswire, Everyone's Internet News Presswire™, tries to define some of the boundaries that are reasonable in today's world. Please see our Editorial Guidelines for more information.

© 1995-2021 IPD Group, Inc. All Right Reserved.