

Delta-sigma Modulator Market 2022 Analysis, Technical Study and Business Opportunities to 2031

Delta-sigma Modulator Market Growth By 2031 Global Industry Analysis Size Share Trends Key Vendors Drivers And Forecast

NEW YORK CITY, NEW YORK, UNITED STATES, July 29, 2022

/EINPresswire.com/ -- The latest data and statistics 2022 from the worldwide

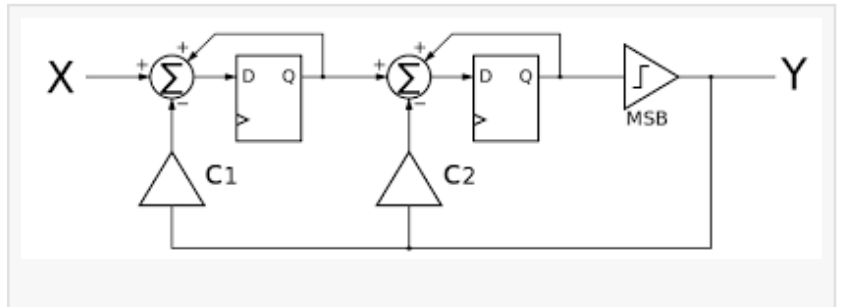
[Delta-sigma Modulator market](#) are now available on Market.us Reports. The report identifies growth opportunities and challenges. Restraints and opportunity analysis is a tool used in assessing the potential for new products and services. This helps companies to identify and predict opportunities in the market. It provides an analysis of the outlook on the industry in major regions worldwide □: North America and Latin America, Western Europe and Eastern Europe, South Asia and South-East Asia. Australasia, Australasia and the Middle East and North Africa are also included.

It provides information about essential processes for markets such as top participants, As Delta-sigma Modulator market size is still not enough to estimate the precise dollar estimates, changes in consumer behavioral patterns have impacted its growth for now and It will be necessary to gain an in-depth analysis of the market by looking at other features. Additionally, the report is a compilation of both qualitative and quantitative assessments by industry experts in their field as well as representatives from multiple industries across up-and-down the supply chain.

Expected Growth: The global Delta-sigma Modulator market size will grow at a compound annual growth rate over the period (2018-2028). The report is about what else researchers found from the detailed information, and also provides data regarding the current market condition. The report covers types and applications according to countries and key regions The companies most active in the market are profiled in detail in view of qualities, for example, company portfolio, business strategies, financial overview, recent developments, and share of the overall industry.

To get a first-hand overview of the report, Request a PDF

Sample@ <https://market.us/report/delta-sigma-modulator-market/request-sample>



Top : World's Biggest Delta-sigma Modulator Market Specific manufacturing

Texas Instruments
Maxim Integrated
Ozic
Qualcomm
Analog Devices
NXP Semiconductors
National Instruments
Infineon Technologies
Richtek Technology
Taiwan Semiconductor

Note: Along with the indirect influence of associated industries, We are regularly tracking direct effect COVID-19 has on the market. The observations will be included in the report.

Delta-sigma Modulator Study should be approached:

1. A competitor can use a product heat map to analyze their product's weaknesses and strengths.
2. Revenue Analysis (Historical & Forecast) for all segments and geography.
3. Market opportunities can be seen on the Opportunity Map.
4. Company's SWOT Analysis, Porter's Five Forces Analysis and PEST Analysis.
5. Drivers [Technology and Media industry has seen a huge growth in recent years], Restraints and Opportunity Analysis
6. Market Forecast: Talk about the growth of the new Delta-sigma Modulator market over the next 10 years.

Interested to Procure the Data with Actionable Strategy and Insights? Inquire here at <https://market.us/report/delta-sigma-modulator-market/#inquiry>

Market segmentation: The article will outline the different types of Delta-sigma Modulator market.

Types of Delta-sigma Modulator: Different types of Delta-sigma Modulator market.

External
Built-In

Common uses for Delta-sigma Modulator Market: The range of applications for which these Delta-sigma Modulator are used.

Automotive
Consumer Electronics
Healthcare
IT & Telecommunication
Industrial
Others

The geographic regions in this report are segmented into several key areas for production, consumption, revenue (million USD), and market share. The Delta-sigma Modulator growth for this region between 2022 and 2032 (prevision), will be covered

- North America (U.S. & Canada)
- Europe (Germany, United Kingdom, France, Italy, Spain, Russia, and Others)
- Asia Pacific (China, India, South Korea, Indonesia, Australia, and Others)
- Latin America (Brazil, Mexico)
- Middle East and Africa

The article covers the following points:

1. The Delta-sigma Modulator market's value is analyzed according to the key region.
2. To analyze the market for trends, future expansion and their stake in the entire sector.
3. (2015-2020) Historic data analysis and forecast period analysis (2022-2032) are the information covered by reports.
4. The report is full of information on the region, major players there now and what has changed recently. It's also about different types of products, applications, and other background information.

Our trusted press-release media partner @
<https://www.taiwannews.com.tw/en/search?keyword=market.us>

Why to Invest

- Analyse regional trends in Delta-sigma Modulator using insight on output values, forecast data up to 2031.
- To identify the fastest growing markets and allow you to target commercial opportunities in those markets that are most strategic.
- Identify the key drivers of the global Delta-sigma Modulator market. Also, consider the growth opportunities in both emerging and developed countries. Plan how and where to engage the market, while minimising any negative impact on revenue.

To learn more about this report@ <https://market.us/report/delta-sigma-modulator-market/>

Frequently Asked Questions (FAQs)

- What are the opportunities for a Delta-sigma Modulator market to grow?
- How fast is the Delta-sigma Modulator market growing?
- Which regional market will be a pioneer in the next few years?
- In the years to come what growth opportunities might arise in the Delta-sigma Modulator industry?
- What challenges could the Delta-sigma Modulator market face in its future?
- What are the leading companies on the Delta-sigma Modulator market?
- What are the main factors that contribute to rapid growth?

For More Research Insights on Leading Industries, Visit our YouTube channel - https://www.youtube.com/channel/UCOghsE_bDUu2pnbG1jj4ERg

Get in Touch with Us:

Business Development Teams - Market.us

Market.us (Powered By Prudour Pvt. Ltd.)

Send Email: inquiry@market.us

Address: 420 Lexington Avenue, Suite 300 New York City, NY 10170, United States

Tel: +1 718 618 4351

Website: <https://market.us>

Market.us - Newsletter, subscribe Here: <https://www.linkedin.com/newsletters/market-us-newsletter-6950367739131613184/>

Read Our More Innovative Market Research Reports:

Insulation Adhesive Tape Market: <https://market.us/report/global-insulation-adhesive-tape-market/>

Dimethylthiazole H Thione Cas Market: <https://market.us/report/global-dimethylthiazole-h-thione-cas-market/>

Hexavalent Hard Chrome Plating Market: <https://market.us/report/global-hexavalent-hard-chrome-plating-market/>

Microalloyed Non Quenched And Tempered Steel Market: <https://market.us/report/global-microalloyed-non-quenched-and-tempered-steel-market/>

Hfos Refrigerant Market: <https://market.us/report/global-hfos-refrigerant-market/>

Austenitic Alloys Tubes Market: <https://market.us/report/global-austenitic-alloys-tubes-market/>

High Conductive Silicone Rubbers Market: <https://market.us/report/global-high-conductive-silicone-rubbers-market/>

High Grade Refractory Market: <https://market.us/report/global-high-grade-refractory-market/>

High Conductive Silicone Rubber Cse Market: <https://market.us/report/global-high-conductive-silicone-rubber-cse-market/>

Hot Rolled High Strength Steel Market: <https://market.us/report/global-hot-rolled-high-strength-steel-market/>

High Purity Metals Market: <https://market.us/report/global-high-purity-metals-market/>

Read Our Specific Blog Chemicals & Materials Reports@ <https://chemicalmarketreports.com/>

Stefen Marwa

Prudour Pvt Ltd

+1 7186184351

stefen@market.us

Visit us on social media:

[Facebook](#)

[Twitter](#)

[LinkedIn](#)

[Other](#)

This press release can be viewed online at: <https://www.einpresswire.com/article/583583833>

EIN Presswire's priority is source transparency. We do not allow opaque clients, and our editors try to be careful about weeding out false and misleading content. As a user, if you see something we have missed, please do bring it to our attention. Your help is welcome. EIN Presswire, Everyone's Internet News Presswire™, tries to define some of the boundaries that are reasonable in today's world. Please see our Editorial Guidelines for more information.

© 1995-2022 Newsmatics Inc. All Right Reserved.