

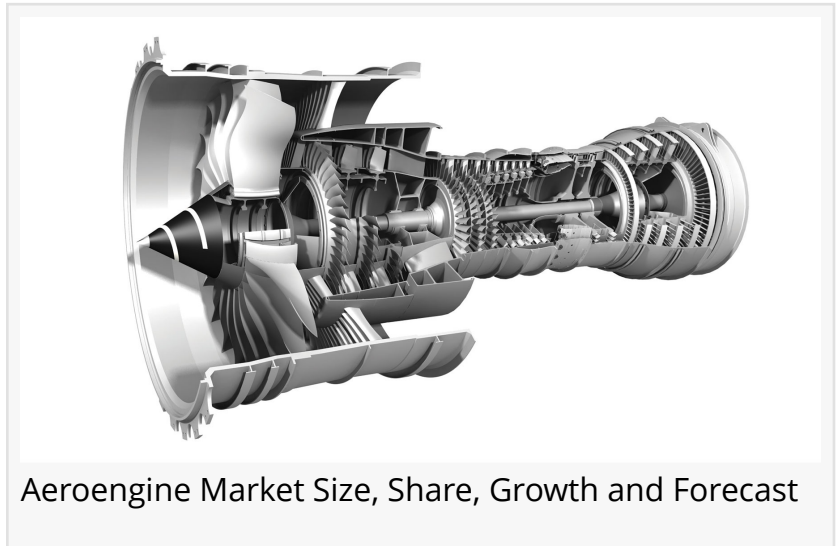
Aeroengine Market to Hit USD 112.61 bn, Globally, by 2029 at 10.87% CAGR

Aeroengine Market size was valued at USD 50.02 bn in 2021. projected to grow USD 112.61 bn by 2029, exhibiting a CAGR of 10.87% during the forecast period.

NEW YORK CITY, NEW YORK, UNITED STATES, October 31, 2022

/EINPresswire.com/ -- The study offers a unique blend of quantitative and qualitative information highlighting key market developments, challenges, competitive industry analysis, and new

opportunities and trends within the [Aeroengine market](#). The research study covers the current market situation and prospects for the global Aeroengine industry. It is a very thorough and professional inspection with a list of valuable components that provides statistics about the industry's underlying conditions. It also serves as a helpful manual for leading businesses and individuals interested in the sector.



Aeroengine Market Size, Share, Growth and Forecast

The analysis examines how market dynamics impact the main challenges and strategies that market players use to overcome those challenges and grow their market share. This study examines how investors and key stakeholders have acted to promote product development. To help regional policymakers and business planners create effective brand strategies, they should be able to analyze the key market players to identify their expansion strategy. Many factors could drive investors to the research and development process of the product.

Download the PDF Report Sample to understand the scope of the global Aeroengine market@ <https://market.us/report/aeroengine-market/request-sample/>

Note: Only Business E-mail id will be Prioritized

Market.us lists all prominent Aeroengine manufacturers operating in the global market. They are as follows:

GE Aviation Group
Rolls-Royce
Pratt & Whitney
CFM International
International Aero Engines (IAE)
Snecma
Honeywell (NYS:HON)
MTU
NPO Saturn
AVIC
Sichuan Chengfa Aero Science & Technology
Beijing Cisri-Gaona Materials and Technology

Market.us analysts and researchers have extensively analyzed the Aeroengine market with the help of research methodologies such as PESTLE and Porter's Five Forces analysis. They provided reliable and accurate market data as well as valuable recommendations to aid players in understanding the current and future market.

The report includes a detailed analysis of the changing market dynamics, major segmentation, value chain, competitive situation, and regional landscape. This research is a valuable guide for investors, shareholders and startups to help them devise strategies for sustainable growth and maintaining a competitive edge on the market.

Market Segmentation Coverage:

The global Aeroengine market is categorized by types into:

Piston Engine
Gas Turbine Engine
Other Engine

Based on applications, the global Aeroengine market is further segmented into:

Commercial Aircrafts
Military Aircrafts

Regional forecast:

Regionally, the global Aeroengine market is segmented into North America, Europe, Asia Pacific, Latin America, and the Middle East & Africa. Also, the classification of the market data and the regional analysis by country is covered in the market research report. Furthermore, the regions are separated into country and regional groups:

- North America (USA and Canada)
- Europe (Germany, Great Britain, France, Italy, Spain, Russia and the rest of Europe)
- Asia Pacific (China, India, Japan, South Korea, Indonesia, Taiwan, Australia, New Zealand and the rest of Asia Pacific)
- Latin America (Brazil, Mexico and the rest of Latin America)
- The Middle East and Africa (GCC (Saudi Arabia, the United Arab Emirates, Bahrain, Kuwait, Qatar, Oman), North Africa, South Africa and the rest of the Middle East and Africa)

You can find your sweet spots to generate winning opportunities in this marketplace: <https://market.us/report/aeroengine-market/#inquiry>

What Does This Report Contain?

1. Current and future market outlook (including growth factors, key players, obstacles and restraints in advanced as well as emerging economies)
2. Analysis & forecast of the global market on a regional level.
3. Historic, current, and estimated market sizes.
4. Restraining & driving factors and their impact on the demand for Aeroengine.
5. An in-depth study of opportunities available in the market.

The following are the study objectives for this report

- To examine the worldwide Aeroengine market size by product types, applications, and regions.
- To be able to comprehend the design through recognizing its various sub-fragments
- To analyze the future trends and growth of individual manufacturers.
- To analyze product overview, revenue status, scope and outlook
- To understand market upstream/downstream analysis
- To understand the Market Competitive Situation and Trends
- To understand market Drivers, Restraints, Opportunities, and Challenges

- To analyze new products and new technology release
- Analysis of Industry Development Trends under the COVID-19 Outbreak

What to Expect in Our Report?

- (1) A complete section of the Global market? The market report focuses on market dynamics and it includes market drivers and influence factors as well as challenges and opportunities.
- (2) An additional research section is dedicated to analyzing regional markets. The market where essential regions and countries are assessed for their growth potential, consumption, market share, and other vital factors indicating their market growth.
- (3) The report provides a competitive analysis that allows players to create new strategies and fine-tune existing ones to overcome market challenges and increase their market share.
- (4) The report also covers trends and competitive situations and sheds light on company expansions as well as mergers and acquisitions that are taking place in the global market. It also highlights the market concentration rates and market shares for top three and five market players.
- (5) Readers are provided with findings and conclusions of the research study in the Global market.

Click the link if you are planning to make a direct purchase @https://market.us/purchase-report/?report_id=54023

Key Questions Answered

- (a) What developments are occurring in Aeroengine? What are the trends that cause these changes?
- (b) What are the key global market and regional market share?
- (c) Who are the global key players in this Aeroengine market? What is their company profile, product details and contact information?
- (d) What was the global market status of the Aeroengine market? What were capacity, production value, cost and profit of Aeroengine market?
- (e) What is the current market status of the Aeroengine industry? What is the market competition in this industry, both in the company and in terms of the country? What is Aeroengine Market

Analysis by Considering Applications and Types?

(f) What are projections of the Global Aeroengine industry considering capacity, production and production value? What will be the cost and profit estimate? What will be market share, supply and consumption? What about import and export?

(g) What is Aeroengine Market Chain Analysis by Upstream Raw Materials and Downstream Industry?

(h) What is the economic impact on Aeroengine industry? What are the results of global macroeconomic environment analysis? What are the global macroeconomic environment development trends?

(i) What are the market dynamics of Aeroengine Market? What are the challenges and opportunities?

(j) What should be entry strategies, economic impact countermeasures, marketing channels for the Aeroengine industry?

Why should you prefer the Market.us insights report?

1. Parent market analysis
2. Reports meet the customer's needs
3. Trusted by 100+ fortune
4. Data about the market's key drivers, trends and challenges
5. Data on revenue-generating market segments
6. Detailed vendors report with competitive landscape
7. Details on the market shares of various regions

Market.US (Powered by Prudour Private Limited) specializes in in-depth market research and analysis and has been proving its mettle as a consulting and customized market research company, apart from being a much sought-after syndicated market research report providing firm. Market.US provides customization to suit any specific or unique requirement and tailor-makes reports as per request. We go beyond boundaries to take analytics, analysis, study, and outlook to newer heights and broader horizons. We offer tactical and strategic support, which enables our esteemed clients to make well-informed business decisions and chart out future plans and attain success every single time.

Communication contact:

Global Business Development Teams - Market.us

Market.us (Powered By Prudour Pvt. Ltd.)

Send Email: inquiry@market.us

Address: 420 Lexington Avenue, Suite 300 New York City, NY 10170, United States

Tel: +1 718 618 4351

Website: <https://market.us>

Business Development Team Market.us

Prudour Pvt Ltd

+1 718-618-4351

[email us here](#)

Visit us on social media:

[Facebook](#)

[Twitter](#)

[LinkedIn](#)

[Other](#)

This press release can be viewed online at: <https://www.einpresswire.com/article/598701509>

EIN Presswire's priority is source transparency. We do not allow opaque clients, and our editors try to be careful about weeding out false and misleading content. As a user, if you see something we have missed, please do bring it to our attention. Your help is welcome. EIN Presswire, Everyone's Internet News Presswire™, tries to define some of the boundaries that are reasonable in today's world. Please see our Editorial Guidelines for more information.

© 1995-2022 Newsmatics Inc. All Right Reserved.