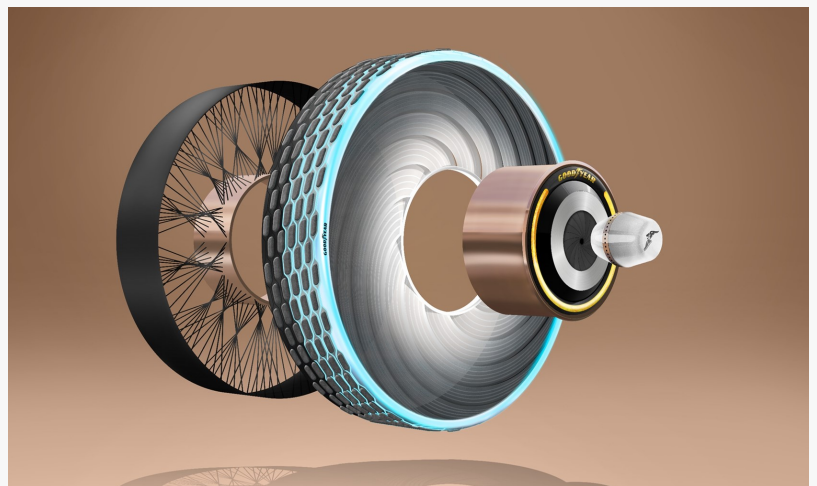


# Rechargeable Tires Market SWOT Analysis by Leading Key Players: Michelin, Goodyear, Kumho Tire

Stay up to date with Rechargeable Tires Market research offered by HTF MI. Check how key trends and emerging drivers are shaping this industry growth.

PUNE, MAHARASHTRA, INDIA, June 20, 2024 /EINPresswire.com/ -- Latest Study on Industrial Growth of [Rechargeable Tires Market](#) 2024-2030.

The report contains different market predictions related to revenue size, production, CAGR, Consumption, gross margin, price, and other substantial factors. While emphasizing the key driving and restraining forces for this market, the report also offers a complete study of the future trends and developments of the market. It also examines the role of the leading market players involved in the industry including their corporate overview, financial summary, and SWOT analysis.



Rechargeable Tires market

“

The Rechargeable Tires market size is estimated to increase by USD 198.47 Million at a CAGR of 5.19% by 2030. The Current market value is pegged at USD 130.57 Million.”

*Nidhi Bhawsar*

The Major Players Covered in this Report: Michelin (French), Continental (German), Bridgestone Americas (United States), Kumho Tire U.S.A., Inc. (United States), Goodyear (United States), Sumitomo rubber industries Ltd (Japan), Hankook Tire and technology Co.Ltd (South Korea), Yokohama rubber company Ltd (Japan), Nexen Tire Corporation (South Korea), Toyo Tire and Rubber Co.Ltd (Japan), Others

Rechargeable Tires Market Study guarantees you to remain/stay advised higher than your competition. With Structured tables and figures examining the Rechargeable Tires, the research document provides you with a leading product, submarkets, revenue size, and forecast for 2030.

Comparatively, it also classifies emerging as well as leaders in the industry. Click To get SAMPLE PDF of Rechargeable Tires Market (Including Full TOC, Table & Figures) @

<https://www.htfmarketintelligence.com/sample-report/global-rechargeable-tires-market>

This study also covers company profiling, specifications and product picture, sales, market share, and contact information of various regional, international, and local vendors of Rechargeable Tires Market. The market proposition is frequently developing ahead with the rise in scientific innovation and M&A activities in the industry. Additionally, many local and regional vendors are offering specific application products for varied end-users. The new merchant applicants in the market are finding it hard to compete with international vendors based on reliability, quality, and modernism in technology.

Check for discount on Immediate Purchase @ <https://www.htfmarketintelligence.com/request-discount/global-rechargeable-tires-market>

#### Market Trends:

- Increasing focus on sustainable solutions within the automotive industry, driving research into eco-friendly tire materials and technologies that contribute to reduced environmental impact.
- Growing interest in energy-capturing technologies embedded within tires to harness kinetic energy from vehicle movement, possibly through piezoelectric materials or other innovative methods.
- Ongoing research and development in materials science to create self-healing or self-regenerating tire materials capable of repairing minor damages autonomously.

#### Market Drivers:

- Increasing regulations and standards for reducing carbon emissions and promoting sustainability in the automotive industry could drive the development of eco-friendly tire solutions.
- Growing consumer awareness and preference for environmentally friendly and energy-efficient products could push tire manufacturers to invest in novel, sustainable tire technologies.
- The competitive landscape within the tire industry drives companies to innovate and differentiate their products, potentially leading to the exploration of new technologies like rechargeable or sustainable tires.

#### Market Opportunities:

- Opportunities for tire manufacturers and tech companies to invest in R&D to develop innovative tire technologies that align with sustainability goals and offer enhanced performance.
- Rising demand for eco-friendly products could create opportunities for tires made from

renewable materials or those designed for longer lifespan, recyclability, or biodegradability.

- Collaboration between tire manufacturers, automotive companies, and research institutions to jointly develop and commercialize next-generation tire technologies.

The titled segments and sub-section of the market are illuminated below:

In-depth analysis of Rechargeable Tires market segments by Types: Pneumatic Tire, Run-Flat Tire, Non-Pneumatic Tire

Detailed analysis of Rechargeable Tires market segments by Applications: Passenger Car, Commercial Vehicle

Major Key Players of the Market: Michelin (French), Continental (German), Bridgestone Americas (United States), Kumho Tire U.S.A., Inc. (United States), Goodyear (United States), Sumitomo rubber industries Ltd (Japan), Hankook Tire and technology Co.Ltd (South Korea), Yokohama rubber company Ltd (Japan), Nexen Tire Corporation (South Korea), Toyo Tire and Rubber Co.Ltd (Japan), Others

Regional Analysis for Rechargeable Tires Market:

- APAC (Japan, China, South Korea, Australia, India, and the Rest of APAC; the Rest of APAC is further segmented into Malaysia, Singapore, Indonesia, Thailand, New Zealand, Vietnam, and Sri Lanka)
- Europe (Germany, UK, France, Spain, Italy, Russia, Rest of Europe; Rest of Europe is further segmented into Belgium, Denmark, Austria, Norway, Sweden, The Netherlands, Poland, Czech Republic, Slovakia, Hungary, and Romania)
- North America (U.S., Canada, and Mexico)
- South America (Brazil, Chile, Argentina, Rest of South America)
- MEA (Saudi Arabia, UAE, South Africa)

Furthermore, the years considered for the study are as follows:

Historical year – 2019-2023

Base year – 2023

Forecast period\*\* – 2024 to 2030 [\*\* unless otherwise stated]

\*\*Moreover, it will also include the opportunities available in micro markets for stakeholders to invest, a detailed analysis of the competitive landscape, and product services of key players.

Buy Latest Edition of Market Study Now @ <https://www.htfmarketintelligence.com/buy-now?format=1&report=3024>

Key takeaways from the Rechargeable Tires market report:

- Detailed consideration of Rechargeable Tires market-particular drivers, Trends, constraints, Restraints, Opportunities, and major micro markets.
- Comprehensive valuation of all prospects and threats in the
- In-depth study of industry strategies for growth of the Rechargeable Tires market-leading players.
- Rechargeable Tires market latest innovations and major procedures.
- Favourable dip inside Vigorous high-tech and market latest trends remarkable the Market.
- Conclusive study about the growth conspiracy of Rechargeable Tires market for forthcoming years.

What to Expect from this Report On Rechargeable Tires Market:

1. A comprehensive summary of several area distributions and the summary types of popular products in the Rechargeable Tires Market.
2. You can fix up the growing databases for your industry when you have info on the cost of the production, cost of the products, and cost of the production for the next years.
3. Thorough Evaluation of the break-in for new companies who want to enter the Rechargeable Tires Market.
4. Exactly how do the most important companies and mid-level companies make income within the Market?
5. Complete research on the overall development within the Rechargeable Tires Market that helps you select the product launch and overhaul growths.

Enquire for customization in Report @ <https://www.htfmarketintelligence.com/enquiry-before-buy/global-rechargeable-tires-market>

Detailed TOC of Rechargeable Tires Market Research Report-

- Rechargeable Tires Introduction and Market Overview
- Rechargeable Tires Market, by Application [Passenger Car, Commercial Vehicle]
- Rechargeable Tires Industry Chain Analysis
- Rechargeable Tires Market, by Type [Pneumatic Tire, Run-Flat Tire, Non-Pneumatic Tire]
- Industry Manufacture, Consumption, Export, Import by Regions (2019-2024E)
- Industry Value (\$) by Region (2019-2024E)
- Rechargeable Tires Market Status and SWOT Analysis by Regions
- Major Region of Rechargeable Tires Market
- i) Rechargeable Tires Sales
- ii) Rechargeable Tires Revenue & market share
- Major Companies List
- Conclusion

Thanks for reading this article; you can also get individual chapter-wise sections or region-wise report versions like North America, MINT, BRICS, G7, Western / Eastern Europe, or Southeast Asia. Also, we can serve you with customized research services as HTF MI holds a database repository that includes public organizations and Millions of Privately held companies with expertise across various Industry domains.

About Author:

HTF Market Intelligence Consulting is uniquely positioned to empower and inspire with research and consulting services to empower businesses with growth strategies, by offering services with extraordinary depth and breadth of thought leadership, research, tools, events, and experience that assist in decision-making.

Nidhi Bhawsar

HTF Market Intelligence Consulting Private Limited

+ 1 5075562445

info@htfmarketintelligence.com

---

This press release can be viewed online at: <https://www.einpresswire.com/article/721512279>

EIN Presswire's priority is source transparency. We do not allow opaque clients, and our editors try to be careful about weeding out false and misleading content. As a user, if you see something we have missed, please do bring it to our attention. Your help is welcome. EIN Presswire, Everyone's Internet News Presswire™, tries to define some of the boundaries that are reasonable in today's world. Please see our Editorial Guidelines for more information.

© 1995-2024 Newsmatics Inc. All Right Reserved.